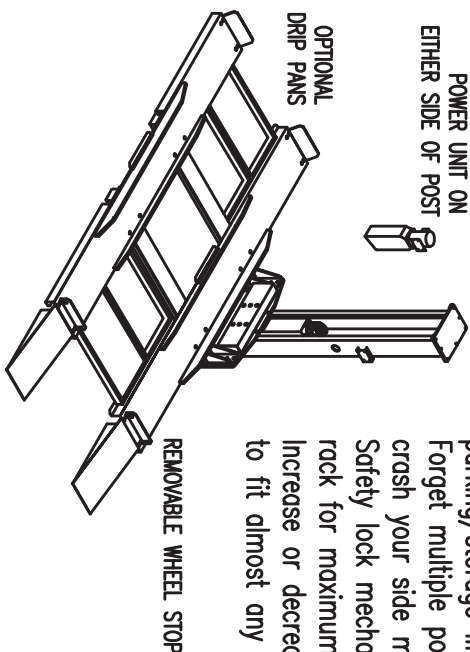
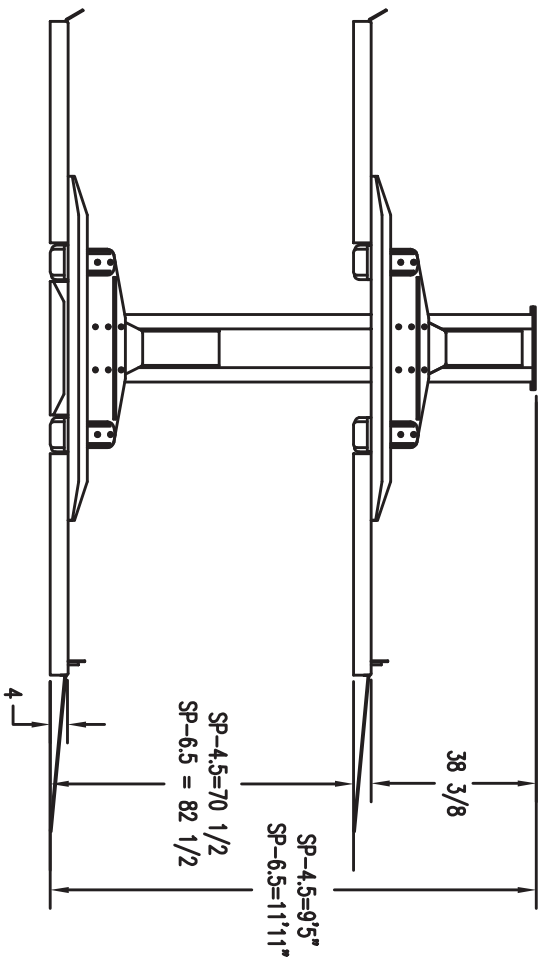
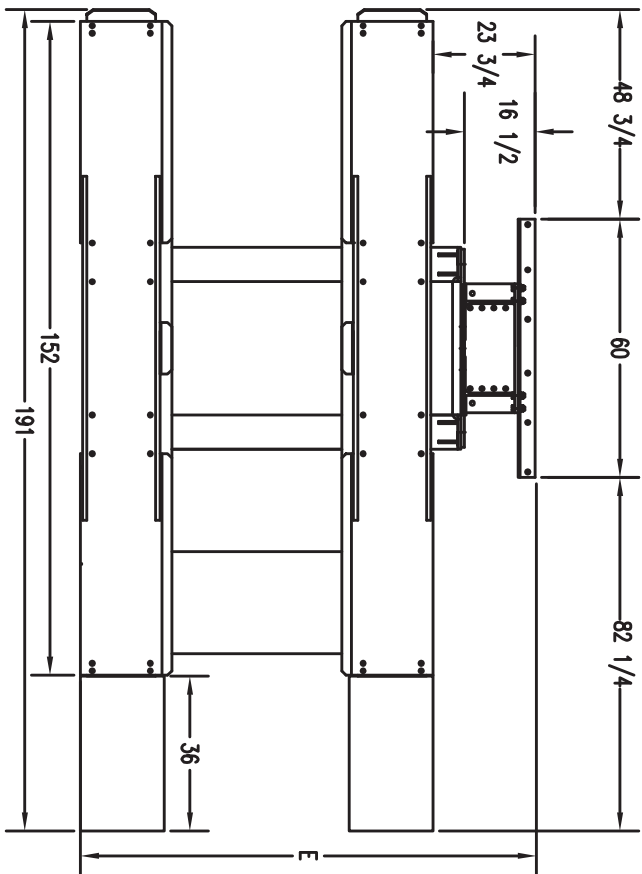


# SINGLE POST PARKING LIFT: SP-4.5 & SP7



Requires less space than two-post and four-post parking/storage lifts. Offers unrestricted access. Forget multiple posts to scratch your car or crash your side mirrors during entry/exit. Safety lock mechanism automatically engages rack for maximum safety when lift is raised. Increase or decrease the width between tracks to fit almost any size vehicle.

## SP-4.5 / SP-7 SPECIFICATIONS

A	79"
B	47"
C	16"
D	19"
E	106"

- MAX CAPACITY.....4500/6500 lb
- OVERALL LENGTH.....15-11"
- TRACK LENGTH.....12'-8"
- MAXIMUM WHEELBASE.....130"
- MAX HEIGHT CLEAR.....70 1/2"/82 1/2"
- COLUMN HEIGHT.....9'-5"/11'-11"
- SPEED OF RISE.....60 SEC
- RECOMMENDED CEILING HT.....12'
- MINIMUM CEILING HT.....9'-6"/12'
- MECHANICAL SAFETY LOCK
- 208-230 V SINGLE PHASE POWER UNIT
- CONCRETE: 3000 PSI, 4" THICK
- REINFORCED W/ STEEL BAR, MESH

